

# LinMot F01-37S F-Guide Series

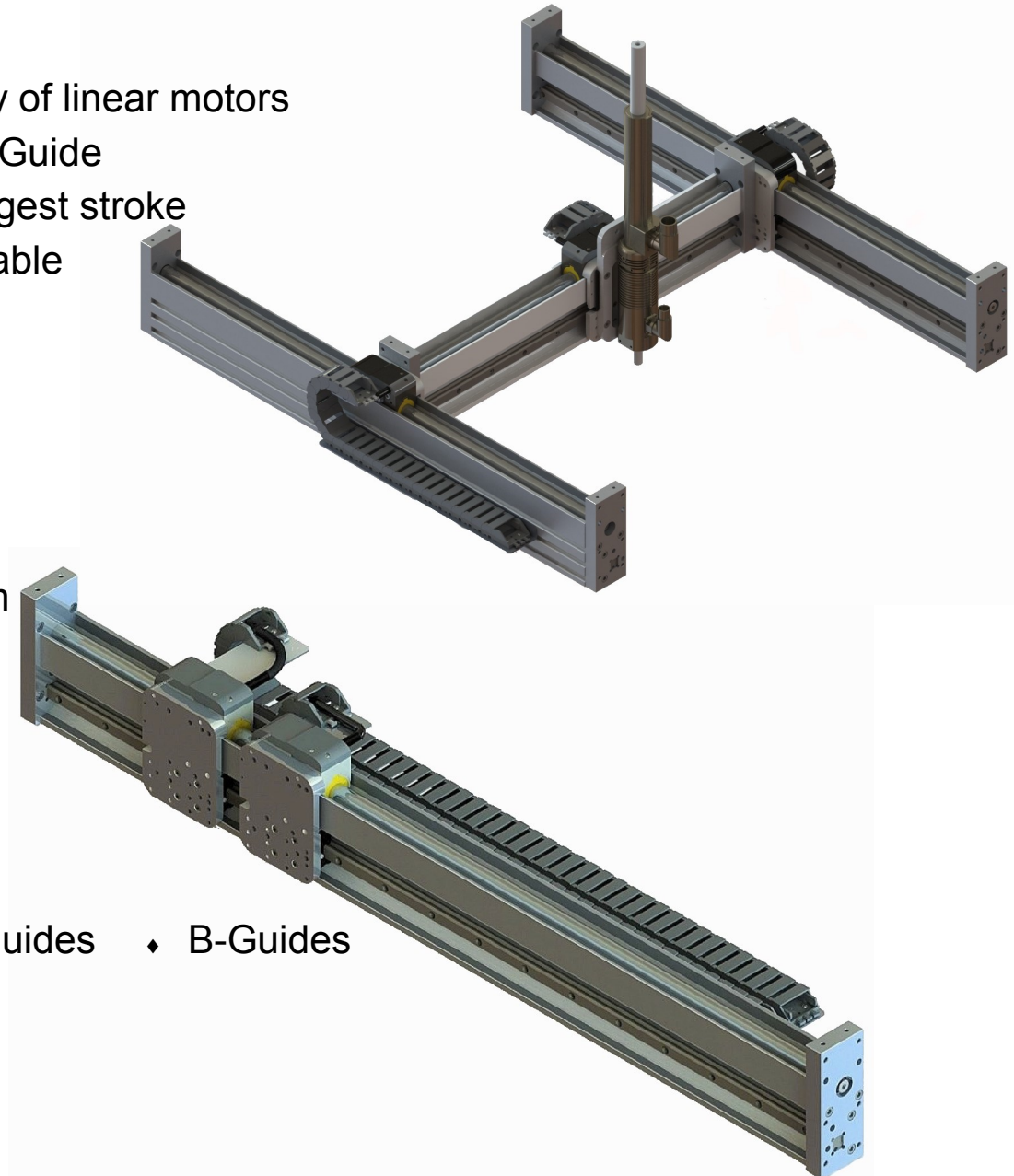


## Motor Design

- Moving stator from the P01-37S series family of linear motors
- Configurable with one or more motors per F-Guide
- PS01-37Sx60 offers highest velocity and longest stroke
- PS01-37Sx120 doubles the peak force available

## Mechanical Design

- Special Aluminum profile
- High precision profile rail guide
- Multi-axis gantry configurations
- Industry leading high speed linear rail system
- Max Velocity of 5m/s
- Max Acceleration of  $75\text{m/s}^2$
  
- High-flex trailing chains to organize cables
- Easy z-axis mountings with
  - ◆ Linear Rotary Motors PR01-52
  - ◆ H-Guides
  - ◆ B-Guides
- Options for External Position Sensors



# LinMot F01-37S F-Guide Series



## F01-37S Guides

Description	Total length	Stroke w/ PS01-37Sx60	Stroke w/ PS01-37Sx120
F01-37Sx300	330 mm	200 mm (7.8")	140 mm (5.5")
F01-37Sx400	430 mm	300 mm (11.8")	240 mm (9.4")
F01-37Sx500	530 mm	400 mm (15.7")	340 mm (13.3")
F01-37Sx600	630 mm	500 mm (19.6")	440 mm (17.3")
F01-37Sx800	830 mm	700 mm (27.5")	640 mm (25.1")
F01-37Sx1000	1030 mm	900 mm (35.4")	840 mm (33")
F01-37Sx1200	1230 mm	1100 mm (43.3")	1040 mm (40.9")
F01-37Sx1400-F	1430 mm	1300 mm (51.1")	1240 mm (48.8")
F01-37Sx1600-F	1630 mm	1500 mm (59")	1440 mm (56.6")
F01-37Sx2000-F	2030 mm	1900 mm (74.7")	1840 mm (72.4")

## F01-37S Motors

Description	Units	Stator PS01-37Sx60	Stator PS01-37Sx120
Peak Force	N (lbf)	122 (27.4)	255 (57.3)
Continuous Force	N (lbf)	20 (4.5)	35 (7.8)
Max Phase Current @ 72V	A	12	15
Total Moving Mass	g (lb)	1100 (2.42)	1470 (3.24)
Repeatability	mm (in)	+/- 0.05 (.002)	+/- 0.05 (.002)
Repeatability with Ext. Sensor	mm (in)	+/- 0.01 (.0004)	+/- 0.01 (.0004)
Max Velocity	m/s (in/s)	5 (196)	5 (196)
Max Acceleration	m/s <sup>2</sup> (in/s <sup>2</sup> )	75 (2952)	75 (2952)

